

Gen5 POD M.2 Edition Assembly Reference

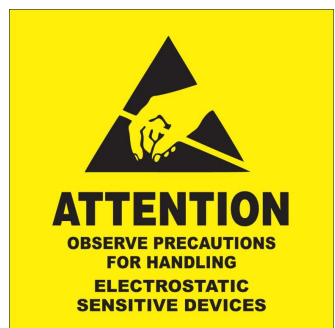
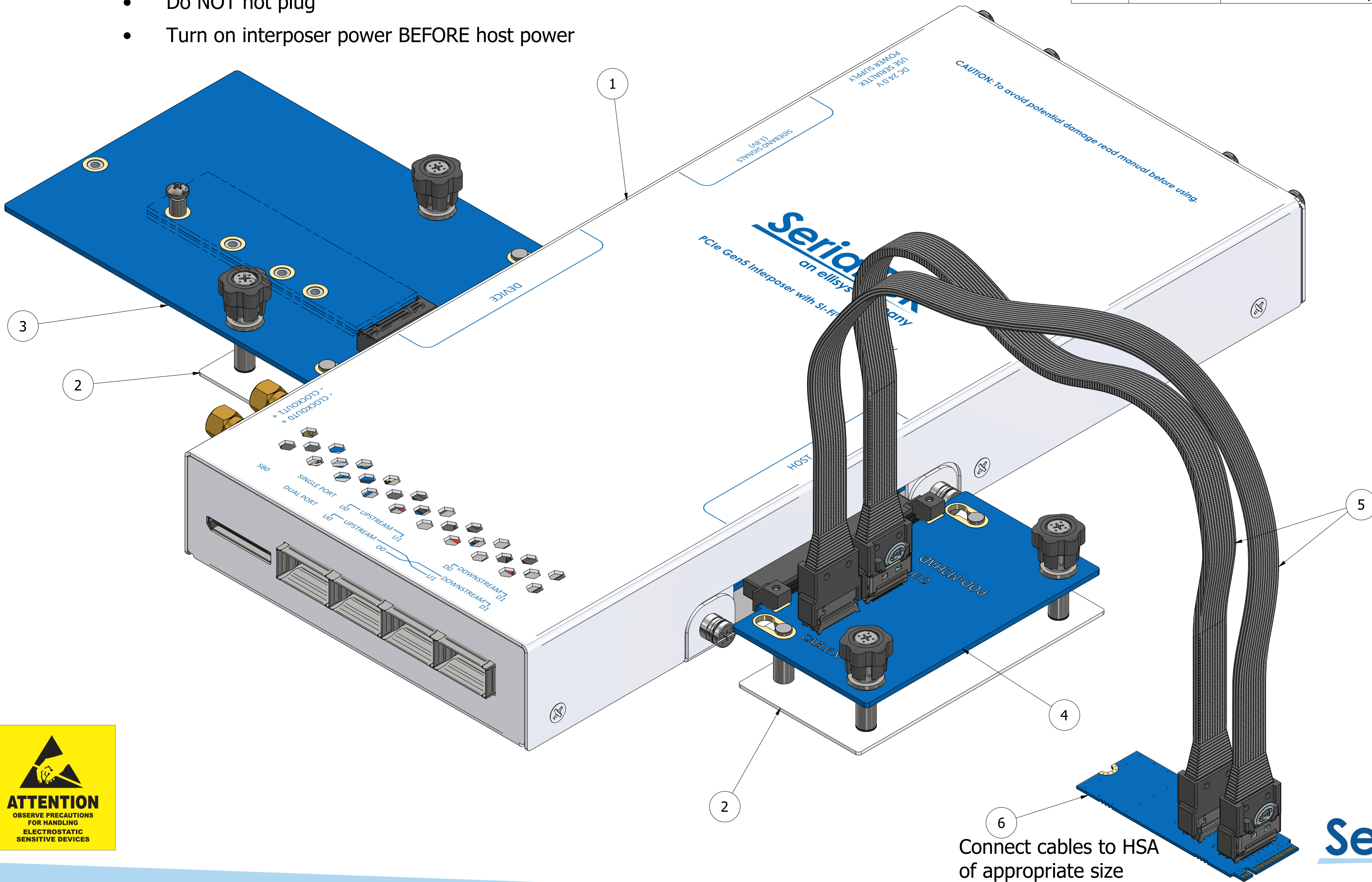


CAUTION :

Failure to do the following may DAMAGE the interposer and VOID the warranty.

- Secure adapters as shown in this guide
- Do NOT change adapters while powered
- Do NOT hot plug
- Turn on interposer power BEFORE host power

Item	Part Number	Part Description	Qty
1	4631	POD Main Unit	1
2	4679	Host/Device Cable Adaptor Tray	2
3	4696	M2 Device PCBA	1
4	4695	M2 Host PCBA	1
5	3361	MCIO x4x4 Cable	2
6	3243	EGP M.2 HSA PCBA (4 sizes)	1



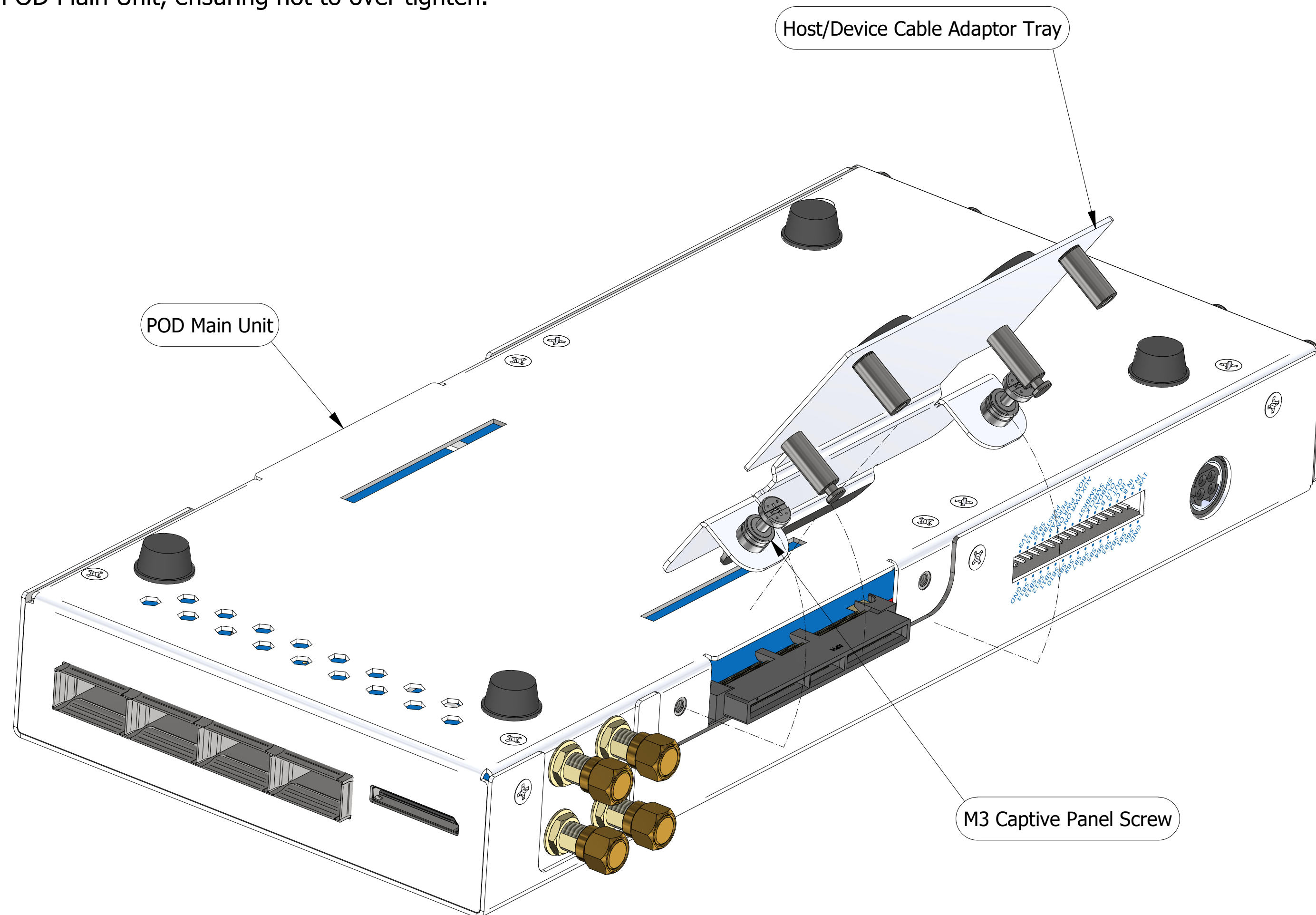
Connect cables to HSA of appropriate size



Gen5 POD M.2 Edition Assembly Reference

Slide the Host/Device Cable Adaptor Tray into the slot on the DEVICE side on the underside of the POD Main Unit at an angle of about 60°.

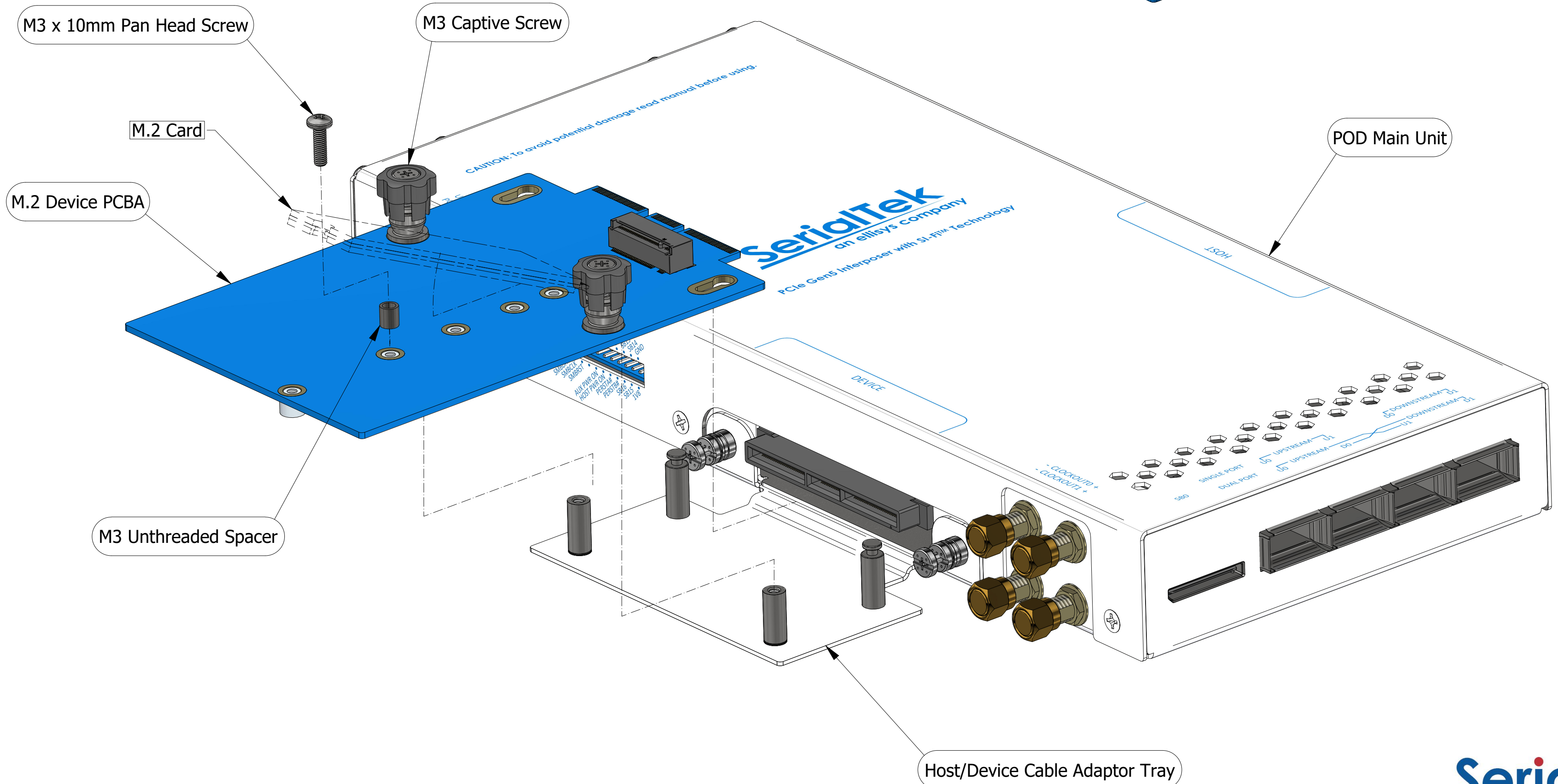
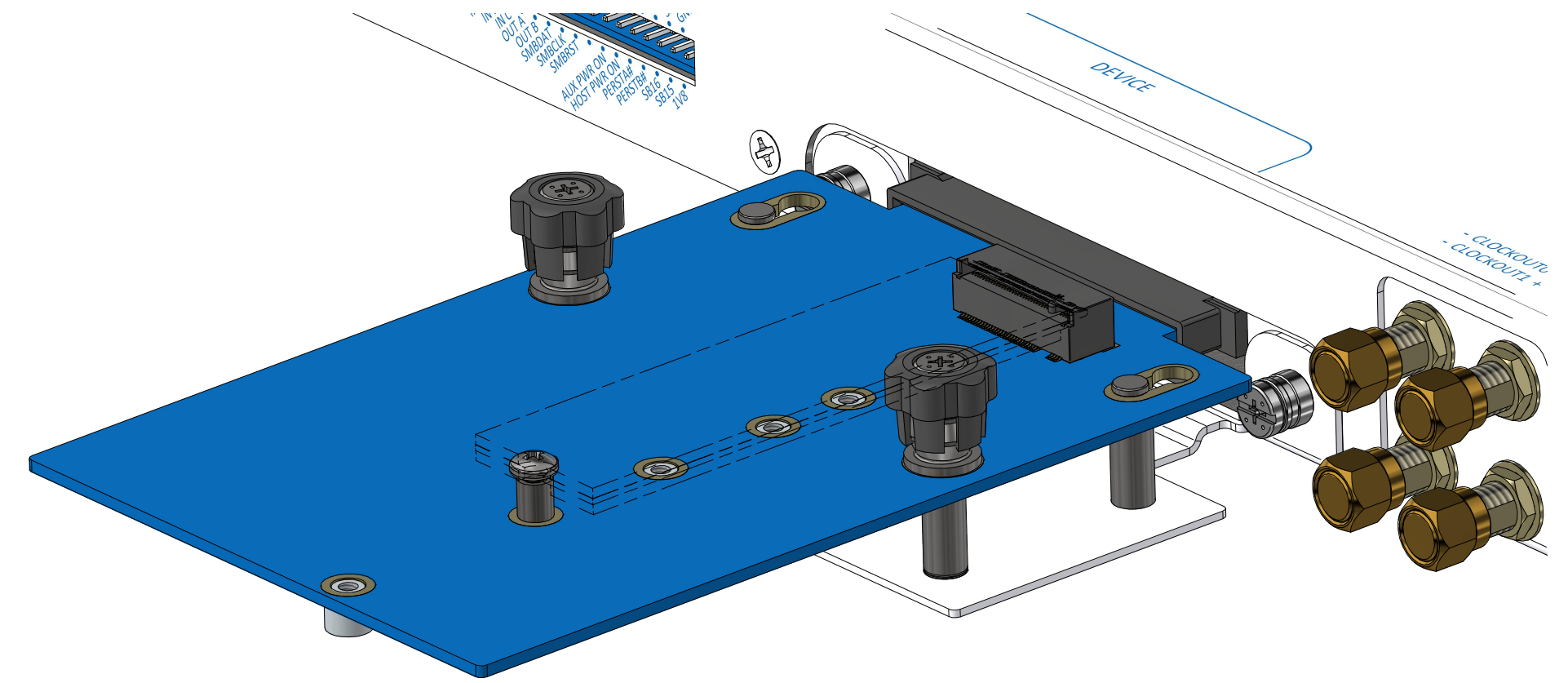
Rotate the Cable Adaptor Tray so it is horizontal and tighten the M3 Captive Panel Screws to the POD Main Unit, ensuring not to over tighten.



Gen5 POD M.2 Edition Assembly Reference

Raise M3 Captive Screws till it resists and screw thread clears the underside of PCBA, then slide the M.2 Device PCBA into the connector on the DEVICE side of the POD Unit and secure in position on the Host/Device Cable Adaptor Tray with M3 Captive Screws.

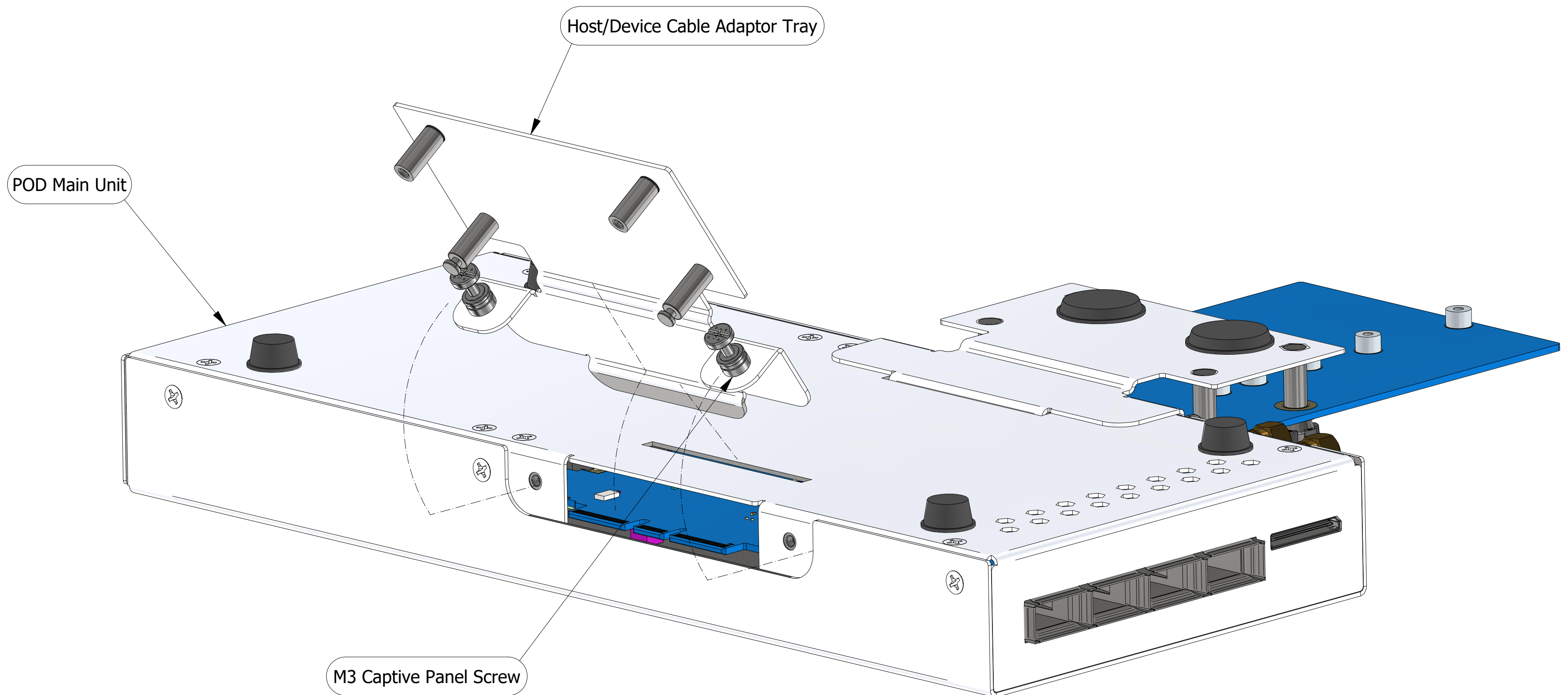
Fix M.2 Card into the connector on the M.2 Device PCBA using the M3 Unthreaded Spacer and M3 Pan Head Screw



Gen5 POD M.2 Edition Assembly Reference

Slide the Host/Device Cable Adaptor Tray into the slot on the HOST side on the underside of the POD Main Unit at an angle of about 60°.

Rotate the Cable Adaptor Tray so it is horizontal and tighten the M3 Captive Panel Screws to the POD Main Unit, ensuring not to over tighten.



Gen5 POD M.2 Edition Assembly Reference

Raise M3 Captive Screws till it resists and screw thread clears the underside of PCBA, then slide the M.2 Host PCBA into the connector on the HOST side of the POD Unit and secure in position on the Host/Device Cable Adaptor Tray with M3 Captive Screws.

